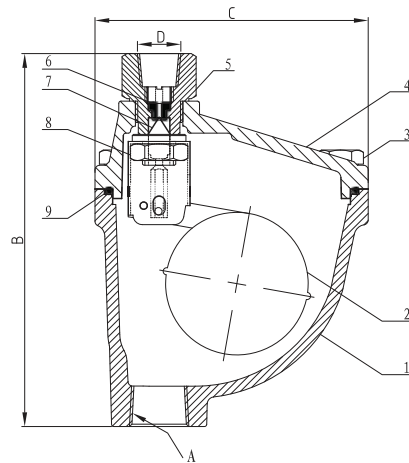


Automatic Air Vent Valve (DAV1606), PN16



MATERIAL SPECIFICATION

Part No.	Part	Standard Specification	Options
1	Valve Body	EN-GJS-450-10	
2	Ball	SS304	
3	Hex Bolt	Carbon Steel Zinc Plated	SS304, SS316
4	Bonnet	EN-GJS-450-10	
5	Exhaust Joint	HPb59-1	
6	Exhaust Gasket	EPDM	NBR
7	Valve Needle	SS304	
8	Nut	SS304	
9	O-Ring	NBR	

- Connection Ends: ISO 7-1
Working Pressure PN16
- Temperature Range: 0°C- 55°C
- Coating: Fusion Bonded Epoxy Coating in accordance with ANSI/AWWA C550

Note: For special material request other than standard specification, please indicate clearly on the inquiry or order list.

DN		Dimensions(mm)			
Inch	mm	A	B	C	D
1/2"	15	Rc 1/2"	157	115	Rc 3/8"
3/4"	20	Rc 3/4"	157	115	Rc 3/8"
1"	25	Rc 1"	157	115	Rc 3/8"
1 1/4"	32	Rc 1-1/4"	157	115	Rc 3/8"
1 1/2"	40	Rc 1-1/2"	157	115	Rc 3/8"