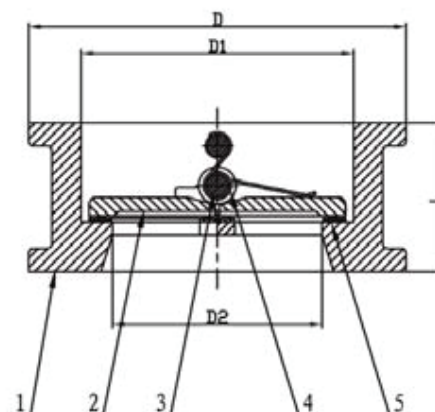


Double Door Wafer Check Valve (DCV1641DD), PN16 (DCV2541DD), PN25



- Connection Ends: BS EN 1092 PN10/16/25,
Working Pressure PN16 / PN25
- Temperature Range: 0°C- 80°C
- Coating: Fusion Bonded Epoxy Coating in accordance with
ANSI/AWWA C550

MATERIAL SPECIFICATION

Part No.	Part	Standard Specification	Options
1	Valve Body	EN-GJS-450-10	
2	Disc	EN-GJS-450-10	SS304, SS316, AL-Bronze UNC 95400
3	Stem	SS420	SS304, SS316, SS416
4	Spring	SS304	SS316
5	Rubber Seat	EPDM	NBR

Note: For special material request other than standard specification, please indicate clearly on the inquiry or order list.

DN		Dimensions(mm)				
Inch	mm	L	D		D1	D2
			PN10/16	PN25		
1.5"	40	54	92	—	58	46
2"	50	54	107	107	64	46
2.5"	65	54	127	127	79	60
3"	80	57	142	142	94	70
4"	100	64	162	168	117	84
5"	125	70	192	192	145	115
6"	150	76	218	224	170	134
8"	200	95	273	283	224	184
10"	250	108	328	340	265	220
12"	300	143	378	390	310	260
14"	350	184	438	457	360	302
16"	400	192	489	—	410	350
18"	450	203	539	—	450	385