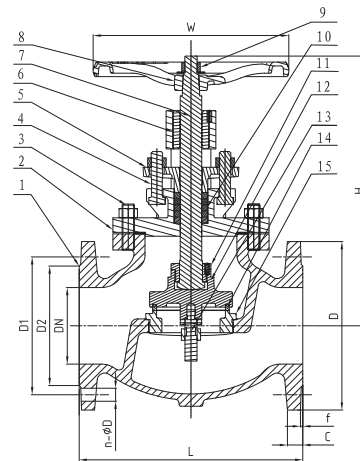


Flanged Metal Seated Globe Valve (DGL1608), PN16



- Connection Ends: Flange to BS EN 1092-2:1997
Working Pressure PN16
- Temperature Range: -10°C- 150°C
- Coating: Painting

MATERIAL SPECIFICATION

Part No.	Part	Standard Specification	Options
1	Valve body	EN-GJS-450-10	
2	Bonnet	EN-GJS-450-10	
3	Stud	Carbon Steel Zinc Plated	SS304
4	Bolt	Carbon Steel Zinc Plated	SS304
5	Gland Follower	EN-GJS-450-10	
6	Stem Nut	Brass HPb59-1	
7	Stem	Stainless Steel	
8	Handwheel	EN-GJS-450-10	
9	Nut	Carbon Steel Zinc Plated	SS304
10	Stem Packing	Graphite	
11	Disc Cover	EN-GJS-450-10	
12	Disc	EN-GJS-450-10	
13	Guide Post	Stainless Steel	
14	Disc Seal Ring	SS304	
15	Seat Ring	SS304	

Note: For special material request other than standard specification, please indicate clearly on the inquiry or order list.

DN			PN	Dimensions(mm)								
				L	H	D	D1	D2	C	f	n-φd	W
2"	50	10/16		203	284	165	125	99	19	3	4-Ø19	200
2.5"	65	10/16		216	289	185	145	118	19	3	4-Ø19	200
3"	80	10/16		241	330	200	160	132	19	3	8-Ø19	200
4"	100	10/16		292	343	220	180	156	19	3	8-Ø19	250
5"	125	10/16		330	367	250	210	184	19	3	8-Ø19	250
6"	150	10/16		356	444	285	240	211	19	3	8-Ø23	300
8"	200	10	495	485	340	295	266	20	3	8-Ø23	400	
		16								12-Ø23		
10"	250	10	622	539	395	350	319	22	3	12-Ø23	500	
		16			405	355				12-Ø28		
12"	300	10	698	697	445	400	370	24.5	4	12-Ø23	500	
		16			460	410				12-Ø28		