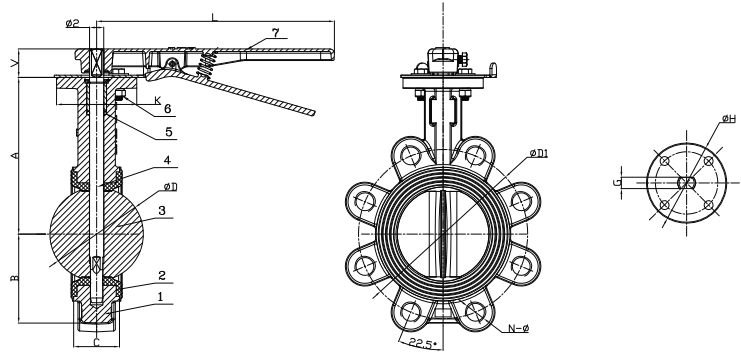


Lugged Wafer Butterfly Valve (DBV1603LL), PN16 (DBV1603LG), PN16



(DBV1603LL), PN16

- Design Standard: BS EN 593
- Connection Ends: BS EN 1092-2 PN10/16
- Top Flange Standard: ISO 5211
Stem drive by keys, parallel or diagonal square or flat head
- Working Pressure PN16
- Temperature Range: 0°C- 80°C
- Coating: Fusion Bonded Epoxy Coating in accordance with ANSI/AWWA C550



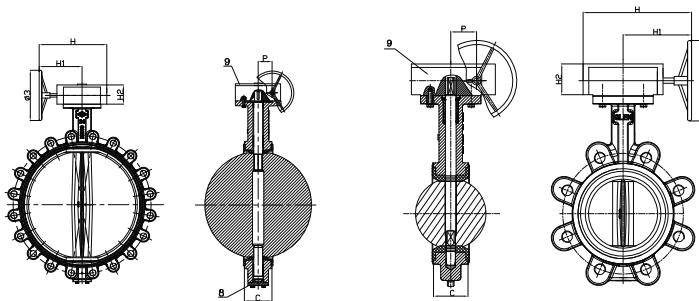
MATERIAL SPECIFICATION

Part No.	Part	Standard Specification	Options
1	Valve Body	EN-GJS-450-10	
2	Seat	EPDM Vulcanized on Valve Body	EPDM/NBR Vulcanized on Valve Body; Soft Seat in EPDM/NBR;
3	Disc	EN-GJS-450-10	SS304, SS316, AL-Bronze UNC 95400
4	Stem	DN50-350: SS420, One-Piece Stem Design DN400-800: SS431, Two-Piece Stem Design	SS304, SS316, SS416, SS431
5	O-Ring	NBR	EPDM
6	Bushing	DN40-DN350: Nylon 1010 DN400-DN800: Lubricating Bronze	PTFE
7	Lever	EN-GJS-450-10	Aluminum
8	Shaft Cover	EN-GJS-450-10	
9	Gear	EN-GJL-200	EN-GJS-450-10

Note: For special material request other than standard specification, please indicate clearly on the inquiry or order list.



(DBV1603LG), PN16



DN		Dimensions(mm)																	
Inch	mm	A	B	V	C	ØD	Ø2	ØK	G	L	ØD1	N-M	ISO5211	Ø3	H	H1	H2	P	
												PN16							
2"	50	140.5	64.5	32	43	53.9	14	90	9.53	267	125	4-M16	F07	150	206	158	52	43.5	
2.5"	65	153	72	32	46	65.2	14	90	9.53	267	145	4-M16	F07	150	206	158	52	43.5	
3"	80	157.5	86	32	46	79.7	14	90	9.53	267	160	8-M16	F07	150	206	158	52	43.5	
4"	100	176	100	32	52	105	16	90	11.14	267	180	8-M16	F07	150	206	158	52	43.5	
5"	125	191	112	32	56	130	16	90	11.14	267	210	8-M16	F07	150	206	158	52	43.5	
6"	150	202.5	128	32	56	155.8	20	90	12.7	267	240	8-M20	F07	150	206	158	52	43.5	
8"	200	243.5	162	45	60	206.7	26	125	20.6	355.6	295	12-M20	F10	300	310	239	69	62.5	
10"	250	273	194	45	68	253.3	26	125	20.6	355.6	355	12-M24	F10	300	310	239	69	62.5	
12"	300	311	223	45	78	301.9	28	125	22.1	490	410	12-M24	F10	300	307	229	73	77.5	
14"	350	340	267	48	78	333.9	31.6	150	22.1	-	470	16-M24	F12	300	307	229	73	77.5	
16"	400	400	319.5	48	102	389.6	33.2	175	27	-	525	16-M27	F14	380	418	288	110	120	
18"	450	422	345.4	48	114	441	38.1	175	27	-	585	20-M27	F14	380	418	288	110	120	
20"	500	480	380	70.2	127	492.4	41.2	210	-	-	650	20-M30	F16	380	465	215	123	185	
24"	600	562	441	70.2	154	592.8	50.6	210	-	-	770	20-M33	F16	380	500	215	129	185	
Inch	mm	A	B	V	C	ØD	Ø2	ØK	G	L	ØD1	N-M	ISO5211	Ø3	H	H1	H2	P	
												PN10							
30"	750	660	550	70.2	165	744	63.4	300	-	-	900	24-M30	F25	380	543	213	132	218	