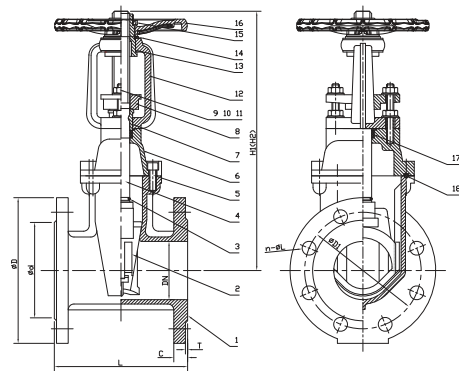


Flanged Resilient OS&Y Gate Valve (DGV2501F), PN25



- Connection Ends: Flange to BS EN 1092-2:1997
- Working Pressure: PN25
- Temperature Range: 0°C- 80°C
- Coating: Fusion Bonded Epoxy Coating in accordance with ANSI/AWWA C550

MATERIAL SPECIFICATION

Part No.	Part	Standard Specification	Options
1	Valve Body	EN-GJS-450-10	
2	Resilient Wedge Disc	EN-GJS-450-10+EPDM	
3	O-Ring	NBR	EPDM
4	Stem	Stainless Steel	SS304, SS316, SS420, SS431
5	Bolt	Carbon Steel Zinc Plated	SS304, SS316
6	Bonnet	EN-GJS-450-10	
7	Stem Bushing	Brass Hpb59-1	
8	Gland	EN-GJS-450-10	
9	Flat Washer	Carbon Steel Zinc Plated	SS304, SS316
10	stud	Carbon Steel Zinc Plated	SS304, SS316
11	Nut	Carbon Steel Zinc Plated	SS304, SS316
12	Yoke	EN-GJS-450-10	
13	Stem Nut	Brass Hpb59-1	
14	Washer	Brass Hpb59-1	
15	Locknut	Carbon Steel Zinc Plated (Type A) Not available (Type B)	
16	Handwheel	EN-GJS-450-10	Pressed Steel
17	Stem Packing	EPDM	NBR
18	Bonnet Gasket	EPDM	NBR

Note: For special material request other than standard specification, please indicate clearly on the inquiry or order list.

DN		PN	Dimensions(mm)								
Inch	mm		L	H1(Close)	H2(Open)	D	D1	d	C	T	n-ΦL
2"	50	25	178	323	373	165	125	99	19	3	4-Φ19
2.5"	65	25	190	343	408	185	145	118	19	3	8-Φ19
3"	80	25	203	370	450	200	160	132	19	3	8-Φ19
4"	100	25	229	442	542	235	190	156	19	3	8-Φ23
5"	125	25	254	541	665	270	220	184	19	3	8-Φ28
6"	150	25	267	608	758	300	250	211	20	3	8-Φ28
8"	200	25	292	720	920	360	310	274	20	3	12-Φ28
10"	250	25	330	940	1190	425	370	319	22	3	12-Φ31
12"	300	25	356	1065	1370	485	430	370	24.5	4	16-Φ31