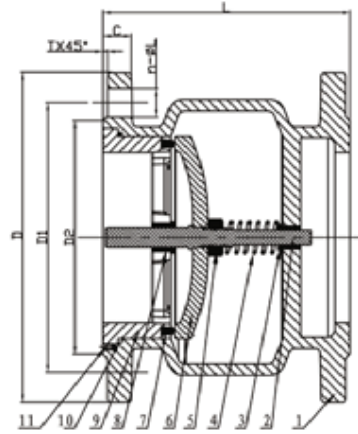


Silent Check Valve
(DCV1643ST), PN16
(DCV2543ST), PN25



MATERIAL SPECIFICATION

Part No.	Part	Standard Specification	Options
1	Valve Body	EN-GJS-450-10	
2	Stem	SS420	SS304, SS316, SS431
3	Hinge Bushing	Brass Hpb59-1	
4	Spring	SS304	SS316
5	Nut	SS304	SS316
6	Disc	EN-GJS-450-10	
7	O-Ring	EPDM	NBR
8	Hinge Bushing	Brass Hpb59-1	
9	Seat	EN-GJS-450-10	
10	O-Ring	NBR	EPDM
11	Screw	Carbon Steel Zinc Plated	SS304, SS316

- Connection Ends: Flange to BS EN 1092-2:1997
Working Pressure PN16 / PN25
- Temperature Range: 0°C- 80°C
- Coating: Fusion Bonded Epoxy Coating in accordance with ANSI/AWWA C550

Note: For special material request other than standard specification, please indicate clearly on the inquiry or order list.

DN		PN	Dimensions(mm)						
Inch	mm		L	D	D1	d	C	T	n- φ L
2"	50	10/16/25	120	165	125	99	19	3	4-Ø19
2.5"	65	10/16/25	135	185	145	118	19	3	4-Ø19
3"	80	10/16/25	155	200	160	132	19	3	8-Ø19
4"	100	10/16	165	220	180	156	19	3	8-Ø19
		25	165	235	190	156	19	3	8-Ø23
5"	125	10/16	190	250	210	184	19	3	8-Ø19
		25	190	270	220	184	19	3	8-Ø23
6"	150	10/16	210	285	240	211	19	3	8-Ø23
		25	210	300	250	211	20	3	8-Ø28
8"	200	10	260	340	295	266	20	3	8-Ø23
		16							12-Ø23
		25							12-Ø28
10"	250	10	285	405	350	319	22	3	12-Ø23
		16			355				12-Ø31
		25			370				330
12"	300	10	315	460	400	370	24.5	4	12-Ø23
		16			410				12-Ø28
		25			430				389