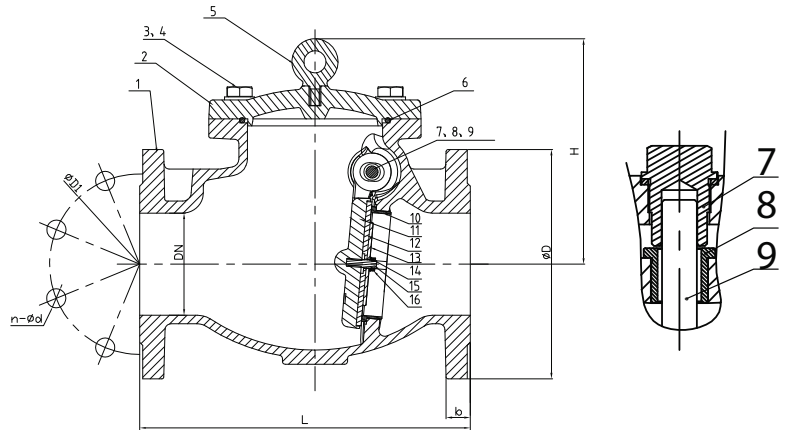


Swing Check Valve (DCV1642SC), PN16



- Connection Ends: Flange to BS EN 1092-2:1997
Working Pressure PN16
- Temperature Range: Rubber Seal: 0°C- 80°C,
Metal Seal: -10°C-200°C
- Coating: Fusion Bonded Epoxy Coating in accordance with
ANSI/AWWA C550 or painting upon request

MATERIAL SPECIFICATION

Part No.	Part	Standard Specification	Options
1	Valve Body	EN-GJS-450-10	
2	Bonnet	EN-GJS-450-10	
3	Bolts	Carbon Steel Zinc Plated	
4	Flat Washer	Carbon Steel Zinc Plated	
5	Eye Bolt	Carbon Steel Zinc Plated	
6	O-Ring	EPDM	NBR
7	Plug	SS304	Bronze ASTM B584
8	Bushing	Brass CW617N	
9	Hinge Pin	SS420	SS304, SS316
10	Seat	Bronze C83600	
11	Disc	EN-GJS-450-10	
12	Disc Sealing Ring	EPDM	
13	Retainer Washer	SS420 (DN50-DN100) EN-GJS-450-10 (DN125-DN300)	
14	Washer	SS304	
15	Stud	SS304	
16	Nut	SS304	

Note: For special material request other than standard specification, please indicate clearly on the inquiry or order list.

DN		PN	Dimensions(mm)					
Inch	mm		L	D	D1	b	H	n-Φd
2"	50	10/16	203	165	125	19	133	4-Φ19
2.5"	65	10/16	216	185	145	19	150	4-Φ19
3"	80	10/16	241	200	160	19	150	8-Φ19
4"	100	10/16	292	220	180	19	218	8-Φ19
5"	125	10/16	330	250	210	19	245	8-Φ19
6"	150	10/16	356	285	240	19	290	8-Φ23
8"	200	10	495	340	295	20	330	8-Φ23
		16						12-Φ23
10"	250	10	622	405	350	22	350	12-Φ23
		16			355			12-Φ28
12"	300	10	698	460	400	24.5	376	12-Φ23
		16			410			12-Φ28