

Bronze NRS Gate Valve

PN20

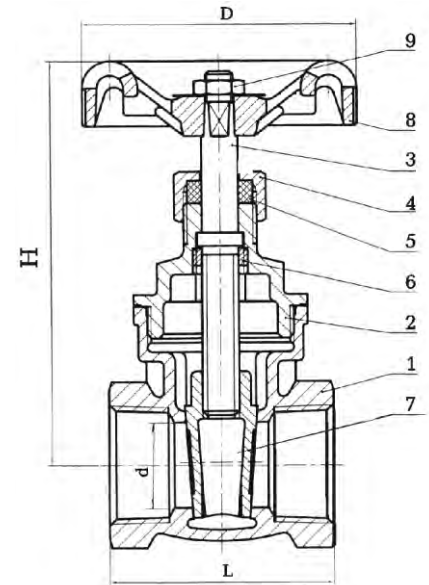
Fig.DGV2002TH

Features & Specifications:

- ◆ Pressure Rating: PN20
- ◆ Working Medium: Water, Oil, Gas
- ◆ Working Temperature: $t \leq 170^{\circ}\text{C}$
- ◆ Taper Pipe Thread To ISO7

Material Specifications

| No. | Component | Material | Size |
|-----|---------------|------------------|------|
| 1 | Body | Bronze CC491K | ALL |
| 2 | Bonnet | Bronze CC491K | ALL |
| 3 | Stem | DZR Brass CW602N | ALL |
| 4 | Packing Nut | Brass CW617N | ALL |
| 5 | Packing | P.T.F.E. | ALL |
| 6 | Stem Bush | DZR Brass CW602N | ALL |
| 7 | Disc | Bronze CC491K | ALL |
| 8 | Handwheel | Aluminium | ALL |
| 9 | Handwheel Nut | Brass CW614N | ALL |



Dimensions

(mm)

| Size | mm | 15 | 20 | 25 | 32 | 40 | 50 |
|------|------|-----|-----|-----|-------|-------|-----|
| | Inch | 1/2 | 3/4 | 1 | 1-1/4 | 1-1/2 | 2 |
| L | | 43 | 49 | 54 | 62 | 65 | 75 |
| H | | 78 | 92 | 103 | 116 | 133 | 156 |
| D | | 52 | 60 | 60 | 70 | 78 | 92 |
| d | | 13 | 19 | 25 | 32 | 38 | 50 |