

BRONZE Y-TYPE STRAINER

PN20

Fig. DYS2005TH

FEATURES & SPECIFICATION

- Y-Pattern Body
- Screwed cap
- Stainless steel mesh
- Threaded to EN 10226-1 (ISO 7)
- Applicable for Building Services, Air-Conditioning, Fire-Protection, Cold Water Plumbing, Hot Water System, General Industries.

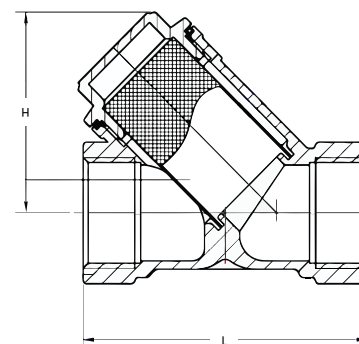


PRESSURE & TEMPERATURE RATINGS

Working Pressure	20Bar WOG Non-Shock 10Bar Saturated Steam
Testing Pressure	(x1.5) 30Bar Hydrostatic
Working Temperature	-10°C ... 170°C
Suitable Media	Water, Oil & Gas

MATERIAL SPECIFICATIONS

Part	Material	Specification
Body	Bronze	EN 1982 GC CC490K
Cap	Bronze	EN 1982 GC CC490K
Screen	Stainless Steel 304	EN 1449 304S31
Gasket	PTFE	



DIMENSIONS

DN		(mm)						
(mm)		15	20	25	32	40	50	
(inch)		½	¾	1	1¼	1½	2	
L		58.5	70.5	88	96.5	107	126	
H		41	50	59	69	76	96	